

Assembly Instructions



www.zracks.com

1-877-637-3712

PARTS LIST

1. Stem Swivel Caster (x4)
2. Garment Rack Frame (x1)
3. Square End Cap (x4)
4. 7/16" Lock Washer (x4)
5. 7/16" Hex Nut (x4)
6. Upright Bar (x2)
7. Top Rail Bar (x1)
8. 5/16" Carriage Bolt (x4)
9. 1"x1" Brace Clamp (x2 / 4 pieces)
10. 5/16" Kep Nut (x4)
11. Round End Cap (x2)

ASSEMBLY INSTRUCTIONS

1. Insert casters (1) into frame (2), and tighten with 7/16" lock washer (4) and 7/16" hex nut (5). (Figure 1)
2. Insert upright bars (6) into frame (2). (Figure 2)
3. Attach top rail bar (7) using brace clamps (9), 5/16" carriage bolts (8) and 5/16" keps (10). Attach brace clamps on both sides of the top rail bar. (Figure 3)
4. Insert square end caps (3) into frame opening (2), and round end caps (11) into top of upright bars (6). End caps will need to be hammered on. (Figure 4)

Heavy Duty Z Rack (Single Rail)

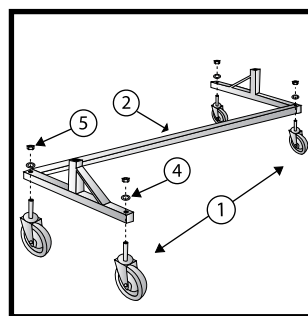
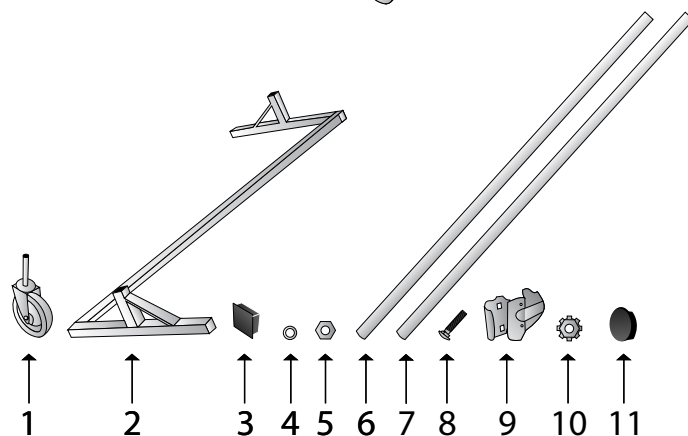
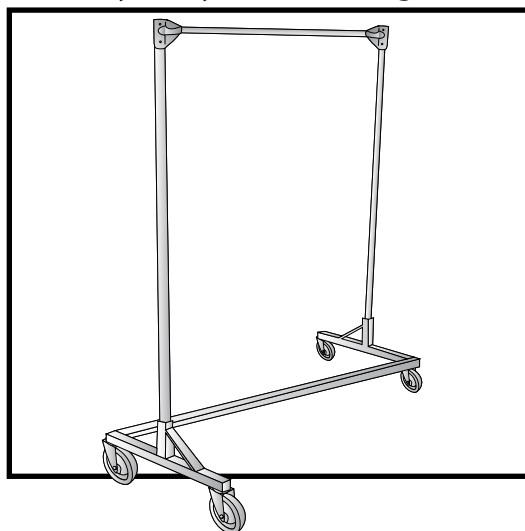


Figure 1

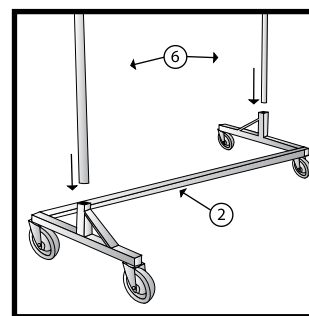


Figure 2

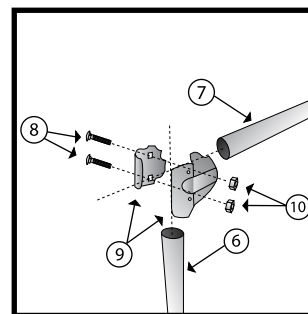


Figure 3

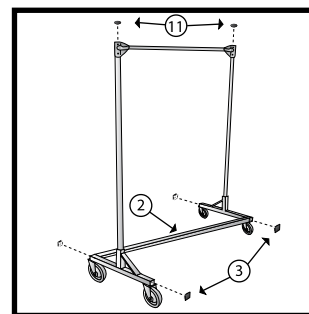


Figure 4

Tools Required: Adjustable wrench (or 1/2, 11/16 box wrench), hammer.